

GV-1120A, GV-1240A, GV-1480A

GV-Combo A Card (GV-1120A, GV-1240A and GV-1480A) are the three-in-one combo cards, providing one single card solution for 16 video / audio recording, real-time display and TV-out display.

Minimum System Requirements

OS	32-bit	Windows XP / Windows Vista / Windows 7 / Windows Server 2008	
	64-bit	Windows 7 / Windows Server 2008	
CPU	GV-1120A	Pentium 4, 3.0 GHz with Hyper Threading Turbo Mode: Pentium 4, 3.0 GHz, Dual Core	
	GV-1120A x 2	Pentium 4, 3.0 GHz, Dual Core Turbo Mode: Core 2 Quad, 2.4 GHz	
	GV-1240A	Pentium 4, 3.0 GHz, Dual Core Turbo Mode: Core 2 Duo, 3.0 GHz	
	GV-1240A x 2	Core 2 Duo, 2.53 GHz Turbo Mode: Core 2 Quad, 2.8 GHz	
	GV-1480A	Core 2 Duo, 3.0 GHz Turbo Mode: Core 2 Quad, 2.4 GHz	
	GV-1480A x 2	Core 2 Quad, 2.4 GHz Turbo Mode: Core i7-920, 2.66 GHz	
		Windows XP	2 x 512 MB Dual Channels
		Windows Vista / 7 / Server 2008	2 x 1 GB Dual Channels
RAM	GV-1120A / 1240A / 1480A	2 x 1 GB Dual Channels	
	GV-1120A x 2 / 1240A x 2 / 1480A x 2	80 GB / Turbo Mode: 120 GB	
	GV-1120A	160 GB / Turbo Mode: 250 GB	
	GV-1120 A x 2	120 GB / Turbo Mode: 160 GB	
	GV-1240A	250 GB / Turbo Mode: 320 GB	
	GV-1240A x 2	250 GB / Turbo Mode: 320 GB	
HDD	GV-1480A	500 GB / Turbo Mode: 750 GB	
	GV-1480A x 2	AGP or PCI-Express, 800 x 600 (1280 x 1024 recommended), 32-bit color	
Graphic Card		9.0c	
DirectX			

Packing List (D-Type)

1. GV-Combo A Card x 1
2. Audio Extension Card x 1
3. 1-8 D-Type Video Cable x 1
4. 9-16 D-Type Video Cable x 1
5. 1-8 D-Type Audio Cable x 1
6. 9-16 D-Type Audio Cable x 1
7. Internal Power Y Cable x 1
8. Hardware Watchdog Jumper Wire x 1
9. Software DVD x 1
10. Surveillance System Quick Start Guide x 1

Packing List (DVI-Type)

1. GV-Combo A Card x 1
2. 1-8 DVI-Type Video plus TV Out Cable x 1
3. 9-16 DVI-Type Video Cable x 1
4. 1-8 DVI-Type Audio Cable x 1
5. 9-16 DVI-Type Audio Cable x 1
6. Internal Power Y Cable x 1
7. Hardware Watchdog Jumper Wire x 1
8. Software DVD x 1
9. Surveillance System Quick Start Guide x 1

Connecting One GV-Combo A Card (D-Type)

- Plug the Audio Extension Card in the assigned connectors on the GV-Combo A Card.
- Connect D-Type video and audio cables to the GV-Combo A Card and Audio Extension Card respectively.
- Connect the supplied Hardware Watchdog Jump Wire (Figure 5).
- Connect the PC's internal power supply to the GV-Combo A Card.
- Connect the TV monitor to the GV-Combo A Card if needed.

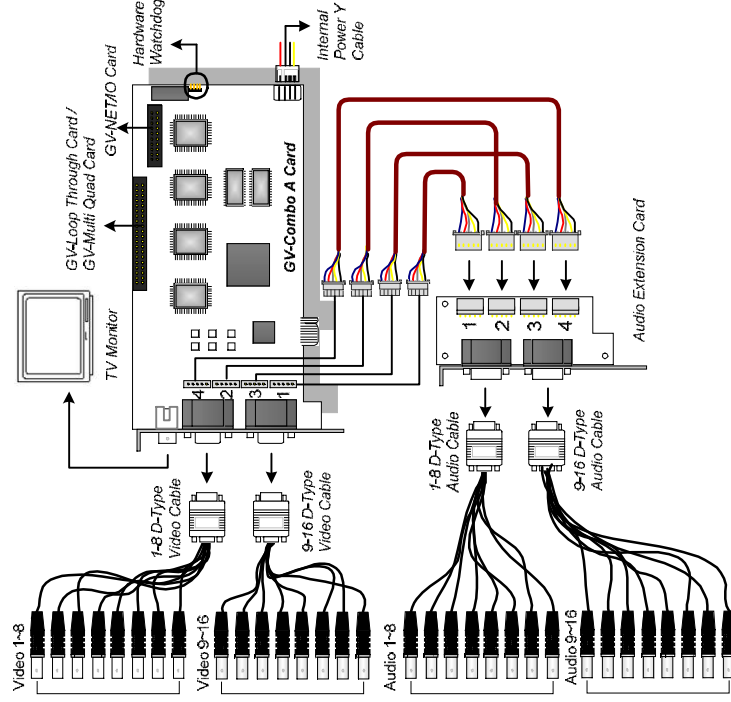


Figure 1

Note: The Card only works when it connects to PC's power supply using the supplied Internal Power Y Cable.

Connecting One GV-Combo A Card (DVI-Type)

- Connect the DVI video and audio cables to the GV-Combo A Card.
- Connect the supplied Hardware Watchdog Jump Wire (Figure 5).
- Connect the PC's internal power supply to the GV-Combo A Card.
- Connect the DVI TV Out cable to the TV monitor if needed.

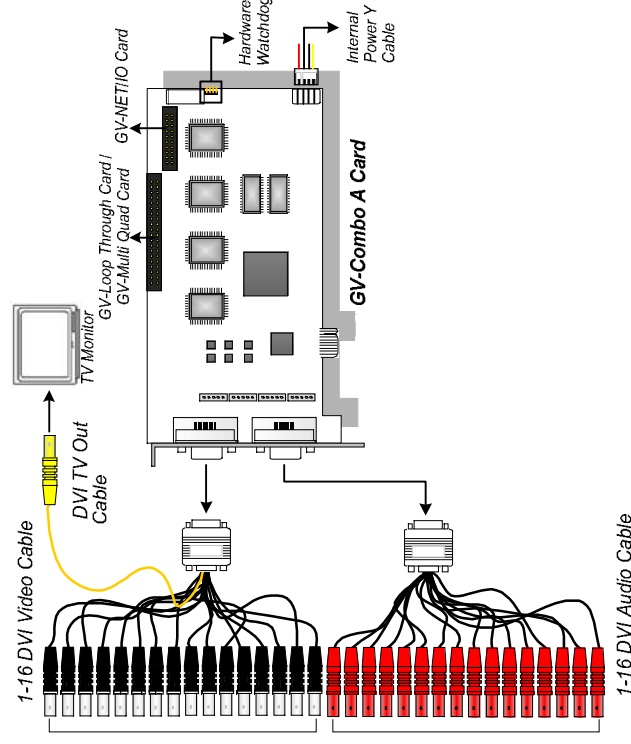


Figure 2

Note: The Card only works when it connects to PC's power supply using the supplied Internal Power Y Cable.

Connecting GV-NET/IO Card to GV-Combo A Card

Connect the GV-NET/IO Card to the 20-pin GV-NET/IO port on the GV-Combo A Card. Some GV-Combo A Cards are built in two 20-pin ports. Ensure to connect the GV-NET/IO Card to the correct port as illustrated below.

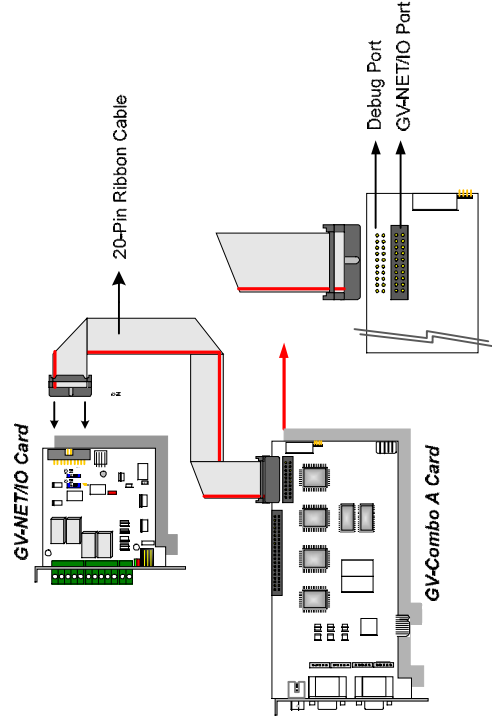


Figure 3

Note: If the GV-NET/IO Card is connected to the Debug port, it may lead to the GV-NET/IO Card to be damaged, or the GV-Combo A Card to burn out, causing Video Lost or an error message of "can't find keypro" to pop up.

Connecting Two GV-Combo A Cards

You can install two GV-Combo A Cards of the same model for up to 32 channels. Master Card is the card with 1-16 channels and Slave Card is that with 17-32 channels. Normally, the card attached to the lower PCI-E slot number will act as Master, and the card attached to the higher PCI-E slot number will act as Slave.

- **TV Output Connection:** The RCA connector in the Master Card is for displaying 1-16 channels, and the one in the Slave Card is for displaying 17-32 channels.
- **Hardware Watchdog Connection:** Connect the supplied Hardware Watchdog Jump Wire to the Master Card only (Figure 5).
- **Accessory Card Connections:**
 - ⊙ GV-NET/IO Card: Connect the card only to the Master Card.
 - ⊙ GV-Loop Through Card: Connect the card for each video capture card.
 - ⊙ GV-Multi Quad Card: Only connect one card to any of two video capture cards.

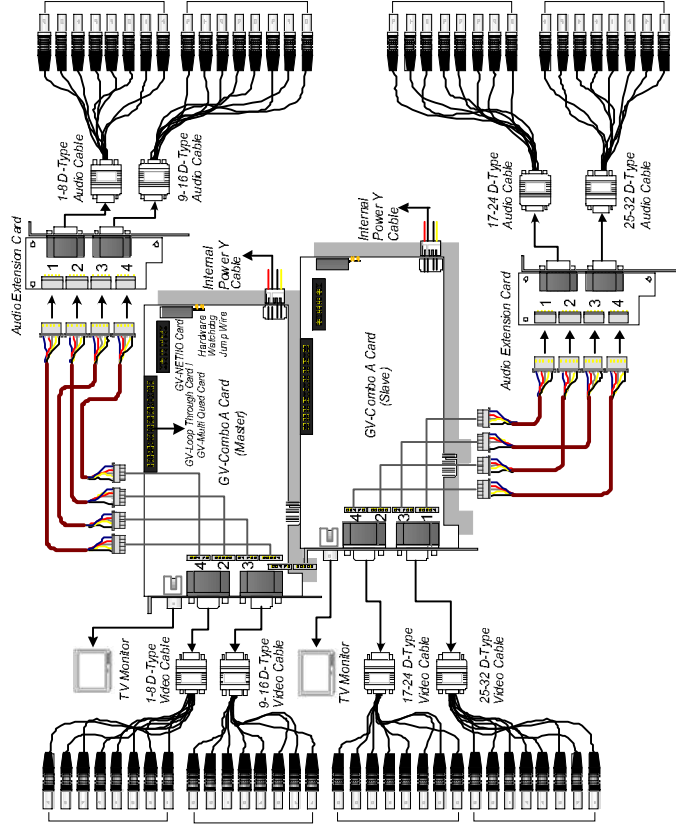


Figure 4

Connecting Hardware Watchdog

Insert the Hardware Watchdog Jumper Wire to the 2-pin connectors on the Card and on the motherboard as illustrated below. Ensure the connection is correct; otherwise the hardware watchdog will not work.

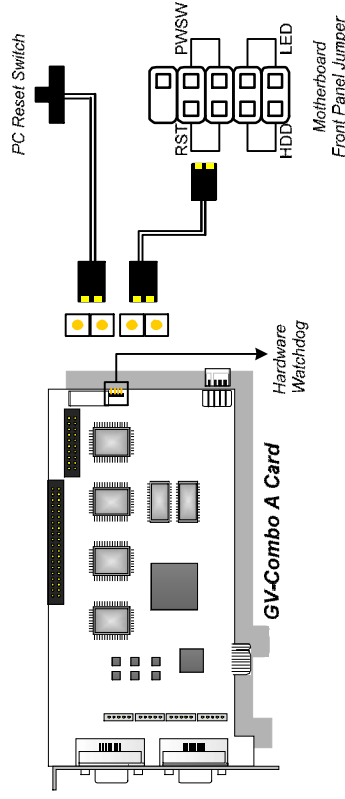


Figure 5

Installing Drivers

After installing the GV-Combo A Card in the computer, insert the software DVD. The DVD will run automatically and an installation window will pop up. Select **Install or Remove GeoVision GV-Series Driver**, and select **Install or Remove GeoVision GV-Series Card Drivers** to install card drivers.

To verify the drivers are installed correctly, go to Windows Device Manager and see if their entries are listed. The image below is an example of installing one GV-Combo A card.



Figure 6

Expand the **DVR-Devices** field, you can see:

Card Model	Entry
GV-1120A	Single-card mode GV1480A/GV1240A/GV1248A/GV1120A/GV1008
	Two-card mode GV1480A/GV1240A/GV1248A/GV1120A/GV1008
GV-1240A	Single-card mode GV1480A/GV1240A/GV1248A/GV1120A/GV1008
	Two-card mode GV1480A/GV1240A/GV1248A/GV1120A/GV1008
GV-1480A	Single-card mode GV1480A/GV1240A/GV1248A/GV1120A/GV1008
	Two-card mode GV1480A/GV1240A/GV1248A/GV1120A/GV1008

Specifications

	GV-1120A	GV-1240A	GV-1480A	
Interface Type	PCI-E (x1)			
Input Type	D-Type, DVI			
Video Input	8, 12, 16 Cams	8, 16 Cams	16 Cams	
Audio Input	8, 12, 16 Channels	8, 16 Channels	16 Channels	
TV Output	D-Type: RCA Connector DVI: BNC Connector			
Recording Rate	CIF	NTSC	240 fps	
		PAL	200 fps	
	D1	NTSC	120 fps	
		PAL	100 fps	
Display Rate	Turbo VGA	NTSC	240 fps	
		PAL	200 fps	
	Turbo D1	NTSC	240 fps	
		PAL	200 fps	
Video Resolution	CIF	NTSC	480 fps	
		PAL	400 fps	
	D1	NTSC	480 fps	
		PAL	400 fps	
Video Compression Format	NTSC	704 x 480, 704 x 480 De-interface, 640 x 480, 640 x 480 De-interface, 352 x 240, 320 x 240		
		704 x 576, 704 x 576 De-interface, 640 x 480, 640 x 480 De-interface, 352 x 288, 320 x 240		
	Video Compression Format		Geo MPEG4, Geo H264	
	Audio Compression Format		AAC (16 kHz / 16 bit)	
GV-Multi Quad Card Support		Yes		
GV-Loop Through Card Support		Yes		
GV-NET/IO Card Support		Yes		
Dimensions	D-Type			
	DVI-Type			
Note: Turbo Mode is only applied in VGA and D1 resolutions.				

	GV-1120A x 2	GV-1240A x 2	GV-1480A x 2	
Interface Type	PCI-E (x1) x 2			
Input Type	D-Type, DVI			
Video Input	16, 20, 24, 28, 32 Cams	16, 24, 32 Cams	32 Cams	
Audio Input	16, 20, 24, 28, 32 Channels	16, 24, 32 Channels	32 Channels	
TV Output	D-Type: RCA Connector DVI: BNC Connector			
Recording Rate	CIF	NTSC	240 fps	
		PAL	200 fps	
	D1	NTSC	160 fps	
		PAL	144 fps	
Display Rate	Turbo VGA	NTSC	240 fps	
		PAL	200 fps	
	Turbo D1	NTSC	240 fps	
		PAL	200 fps	
Video Resolution	NTSC	704 x 480, 704 x 480 De-interface, 640 x 480, 640 x 480 De-interface, 352 x 240, 320 x 240		
		704 x 576, 704 x 576 De-interface, 640 x 480, 640 x 480 De-interface, 352 x 288, 320 x 240		
	Video Compression Format		Geo MPEG4, Geo H264	
	Audio Compression Format		AAC (16 kHz / 16 bit)	
GV-Multi Quad Card Support		Yes		
GV-Loop Through Card Support		Yes		
GV-NET/IO Card Support		Yes		
Dimensions	D-Type			
	DVI-Type			
Note: Turbo Mode is only applied in VGA and D1 resolutions.				